

END OF TERM 1 EXAMS

AGRICULTURE

FORM FOUR

PAPER 1

TIME: 2 HOURS

NAME.....ADM NO:.....

SIGN.....

INDEX NO:.....

INSTRUCTIONS TO CANDIDATES:

- Answer *ALL* the questions
- Answers should be written in the spaces provided

SECTION A (30 MARKS)

Answer ALL Questions in the Spaces Provided

1. State **two** ways by which wind affects the growth of crops. (1mk)

.....
.....

2. Name **three** types of capital used in Agriculture. (1½mks)

.....
.....

3. List **four** reasons for primary cultivation. (2mks)

.....

.....
.....
.....

4. Give **four** properties of soil that are influenced by its texture. **(2mks)**

.....
.....
.....
.....

5. State **two** reasons for drying grains before storage. **(1mk)**

.....
.....
.....
.....

6. List **four** methods of treating water for domestic use. **(2mks)**

.....
.....
.....
.....

7. State **four** ways by which plant nutrient may be lost from the soil. **(2mks)**

.....
.....
.....
.....

8. State **four** functions of nitrogen in crops. **(2mks)**

.....

.....
.....
.....

9. State **three** ways in which organic mulch helps to conserve water in the soil. (1½mks)

.....
.....
.....

10. Give **four** advantages of proper stocking rate in pasture management. (2mks)

.....
.....
.....

11. Differentiate between thinning and pricking out as used in crop management (1mk)

.....
.....

12. List **three** books of account used in the farm (1 ½ mks)

.....
.....
.....
.....
.....

13. State **three** cultural measures taken by farmers to control weeds in the field (1 ½ mks)

.....
.....
.....
.....
.....

14. State **three** precautions taken when harvesting pyrethrum

(1 ½ mks)

.....

.....

.....

.....

15. Mention **four** advantages of minimum tillage

(2mks)

.....

.....

.....

.....

16. Name **three** crop diseases caused by viruses

(1 ½ mks)

.....

.....

.....

.....

17. Outline **three** examples of joint products in crop production

(1 ½ mks)

.....

.....

.....

.....

18. State **three** advantages of land fragmentation

(1 ½ mks)

.....

.....

.....

.....

19. Give **four** advantages of using zero grazing system of grazing

(2mks)

.....
.....
.....
.....
.....

SECTION B. (20 MARKS)

Answer ALL questions in this section in the spaces provided

18. Study the diagram below and answer the questions that follow. The illustrations represent a method of crop propagation.



(a) Name the crops (s) propagated by illustrations:
(1mrk)

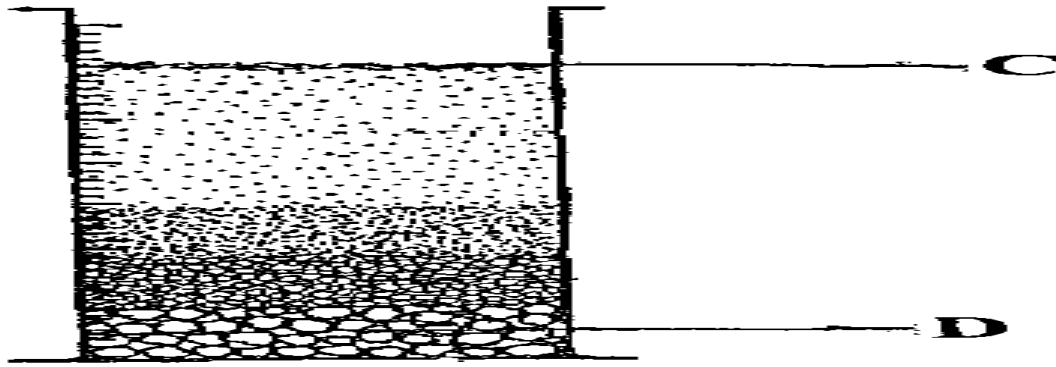
A:.....

B:.....

(b) Give **three** factors that promote the rooting of illustration **A**.
(3mrks)

.....
.....
.....

19. The diagram below illustrates an experiment using garden soil. Study it carefully and answer the question that follow.



(a) What was the aim of the experiment? (1mrk)

.....

(b) Name the parts labeled **C** and **D**. (2mrks)

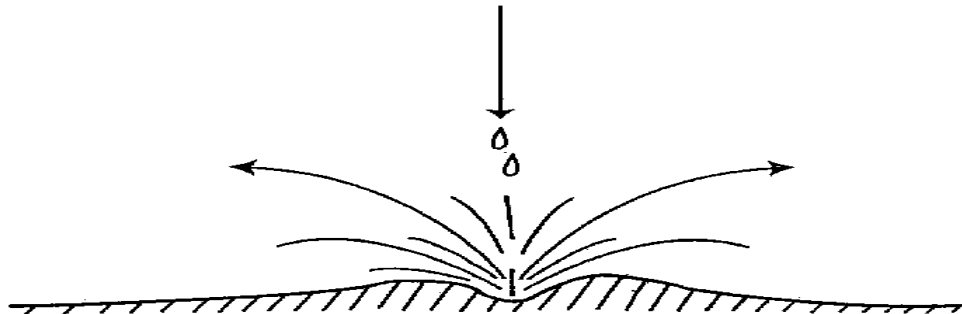
C:.....

D:.....

(c) Name the property of soil being investigated. (1mrk)

.....

20. The illustration below shows a type of soil erosion. Study it carefully and answer the questions that follow.



a) Identify the type of erosion illustrated. (1mrk)

.....

b) Give **two** soil factors that influence the rate of soil erosion. (2mrks)

.....

.....

c) Name **one** agent of soil erosion. (1mrk)

.....

.....

20. The illustration below represents a financial document . Study it carefully and answer the questions that follow.

No: 2004 26/07/2013		Date:	
M/S MUHORONI FARMERS STORE DR.....ACHEGO FARMERS CO-OP UNION BOX 2, AWASI			
Particular	Quantity	Price per unit	Amount
Layers mash	20 bags	1,200.00	24,000.00
Urea	5bags	3,000.00	15,000.00
Sorghum seeds	10 pkts	300.00	3,000.00
Delivery details	Total		42,000.00
Discount - None			
Terms of payment: Cash in 30days upon receipt of Stamp &		goods	Official signature

a) Identify the document illustrated above. (1mrk)

.....

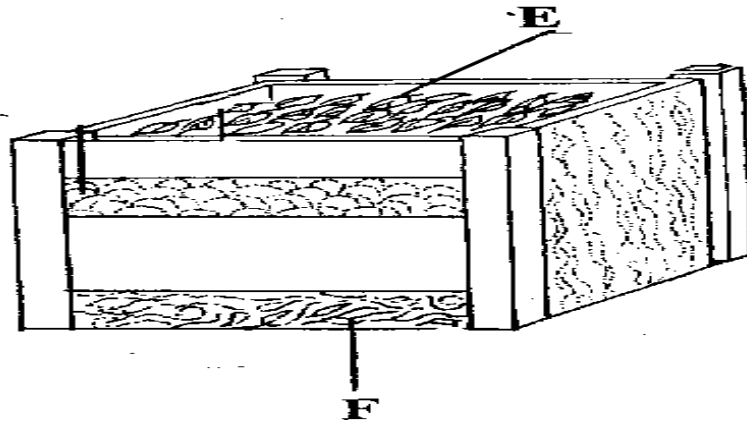
b) State **two** functions of the document. (2mrks)

.....

.....

.....

22 The diagram below represent a method of manure preparation. Study it carefully and answer the questions that follow.



- a) Identify the type of manure being prepared. (1mrk)

- b) Name the parts labeled **E** and **F**. (1mrk)
E:.....
F:.....

SECTION C:

Answer any two questions from this section in the spaces provided after question 26.

24. a) Outline **five** activities that may be undertaken in minimum tillage. (5mks)
 b) State the qualities of a good farmer manager. (5mks)
 c) Explain **five** ways in which farmers may overcome risks and uncertainties in farming business. (10mks)
25. (a) Describe **five** functions of agricultural marketing. (10mks)
 (b) Explain the **four** types of water erosion. (4mks)
 (c) Describe the nursery preparation and establishment in rice production. (6mks)
26. (a) Describe **five** factors that influence the demand of agricultural products. (10mks)

- (b) Outline the different methods of pasture conservation and utilization. (5mks)
- (c) Give reasons for raising vegetable seedlings through a nursery. (5mks)